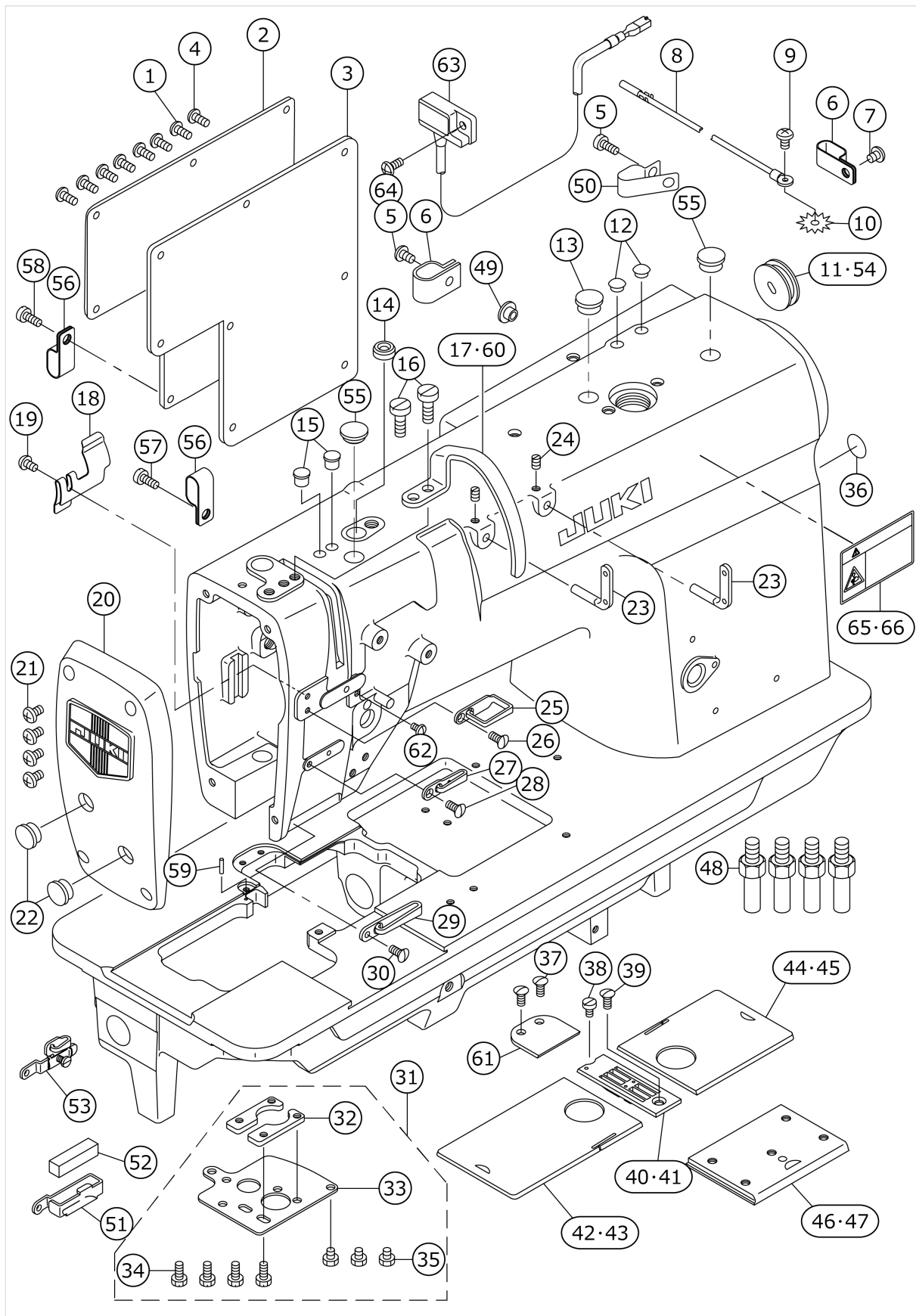


LH-3120

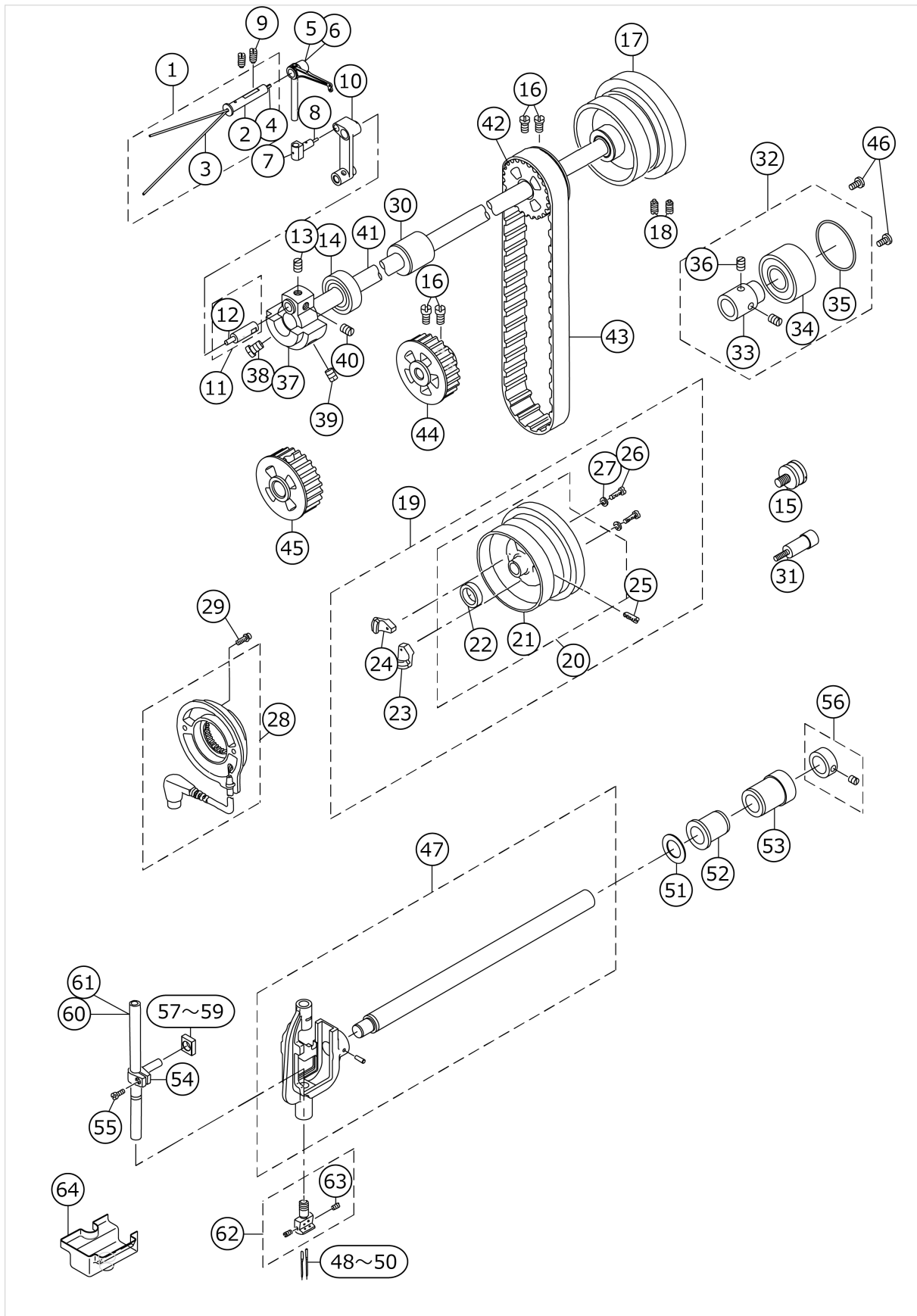
FRAME & MISCELLANEOUS COVER COMPONENTS



No.	品番	品名	備考	子部品	消耗品	個数
1	SS4110815SP	SCREW 11/64-40 L=8				5.00
2	10602902	SLIDE PLATE				1.00
3	10101004	GASKET				1.00
4	SS4110815SP	SCREW 11/64-40 L=8	FOR LH-3120			3.00
5	SS6111140SP	SCREW 11/64-40 L=11	FOR LH-3120-7			2.00
6	D2112555B00	CORD HOLDER, LARGE	FOR LH-3120-7			2.00
7	SS4120615SP	SCREW 3/16-28 L=6	FOR LH-3120-7			1.00
8	22951552	GROUND WIRE ASM.	FOR LH-3120-7			1.00
9	SS4120615SP	SCREW 3/16-28 L=6	FOR LH-3120-7			1.00
10	WT0530002KS	TOOTHED WASHER D=5.3	FOR LH-3120-7			1.00
11	22619100	CAP	FOR LH-3120			1.00
12	TA0750404R0	PLUG D=7.5 L=3.5	FOR LH-3120			2.00
13	TA1250406R0	RUBBER PLUG D=12.5 L=4				1.00
14	22620900	CAP				1.00
15	TA0750704R0	RUBBER PLUG				2.00
16	SS4150915SP	SCREW 15/64-28 L=9				2.00
17	22602007	THREAD TAKE-UP LEVER OIL GUARD	EXCEPT JAPAN & JE			1.00
18	23204803	LUBRICATING GUIDE				1.00
19	SS3090610SP	SCREW 9/64-40 L=6				1.00
20	22602254	FACE PLATE ASM.				1.00
21	SS4121015SP	SCREW 3/16-28 L=10				4.00
22	TA1250406R0	RUBBER PLUG D=12.5 L=4				2.00
23	22920706	TWO EYELET				2.00
24	SS8120740SP	SCREW 3/16-28 L=7				2.00
25	22603013	THREAD GUIDE (UPPER)				1.00
26	SS2090710TP	SCREW 9/64-40 L=7.2				1.00
27	22603112	THREAD GUIDE				1.00
28	SS2090710TP	SCREW 9/64-40 L=7.2				1.00
29	22603203	THREAD GUIDE(LOWER)				1.00
30	SS2090710TP	SCREW 9/64-40 L=7.2				1.00
31	22840557	FIXING PLATE ASM.				1.00
32	22840508	FIXING PLATE				2.00
33	22840409	JAWS PRESSING PLATE				1.00
34	SS9111010SP	SCREW 11/64-40 L=9.5				4.00
35	SS9110543CP	SCREW 11/64-40 L=5.3				3.00
36	10004109	GROUND MARK				1.00
37	SS2090710TP	SCREW 9/64-40 L=7.2				2.00
38	SS6090630SP	SCREW 9/64-40 L=6				1.00
39	SS2110920TP	SCREW 11/64-40 L=8.5				1.00
40	22845606	THROAT PLATE, (1/4).	EXCHANGING GAUGE PART FOR LH-3120(SEE P.25, 27)			1.00
41	22853600	THROAT PLATE, 1/4.	EXCHANGING GAUGE PART FOR LH-3120-7(SEE P.25, 27)			1.00
42	22601058	BED SLIDE LEFT, ASM., A	SELECTIVE PART FOR LH-3120			1.00

43	22650857	BED SLIDE LEFT, ASM., A	SELECTIVE PART FOR LH-3120-7			1.00
44	22600555	BED SLIDE RIGHT, ASM., A	SELECTIVE PART FOR LH-3120			1.00
45	22650352	BED SLIDE RIGHT, ASM., A	SELECTIVE PART FOR LH-3120-7			1.00
46	22650055	BED SLIDE ASM.	FOR LH-3120			1.00
47	22650055	BED SLIDE ASM.	FOR LH-3120-7			1.00
48	22602601	BED SCREW STUD				4.00
49	TA1250406R0	RUBBER PLUG D=12.5 L=4				1.00
50	D2112555B00	CORD HOLDER, LARGE	FOR LH-3120-7- WB, -WO, -OB			1.00
51	22603609	THREAD GUIDE				1.00
52	22603708	FELT				1.00
53	22651459	THREAD GUIDE ASM., E	OPTIONAL PART			1.00
54	22657803	RUBBER PLUG	FOR LH-3120-7			1.00
55	TA1250406R0	RUBBER PLUG D=12.5 L=4				2.00
56	D2112555B00	CORD HOLDER, LARGE	FOR LH-3120-7- WB, -WO, -OB			2.00
57	SS4120615SP	SCREW 3/16-28 L=6	FOR LH-3120-7- WB, -WO, -OB			1.00
58	SS6111140SP	SCREW 11/64-40 L=11	FOR LH-3120-7- WB, -WO, -OB			1.00
59	B1104051000	THROAT PLATE PIN				1.00
60	22818009	BALANCE COVER(FOR JE)				1.00
61	22651202	AUXILIARY COVER				1.00
62	SS5090610SP	SCREW 9/64-40 L=6				1.00
63	M6046350AAA	RESISTANCE PACK ASM, AA.	FOR LH-3120-7			1.00
64	SS4111015SP	SCREW 11/64-40 L=10	FOR LH-3120-7			1.00
65	CM3002001A1	SAFETY LABEL.,3 (SMALL).	EXCEPT JAPAN & JE			1.00
66	CM300200101	SAFETY LABEL, 1(SMALL).	FOR JAPAN			1.00

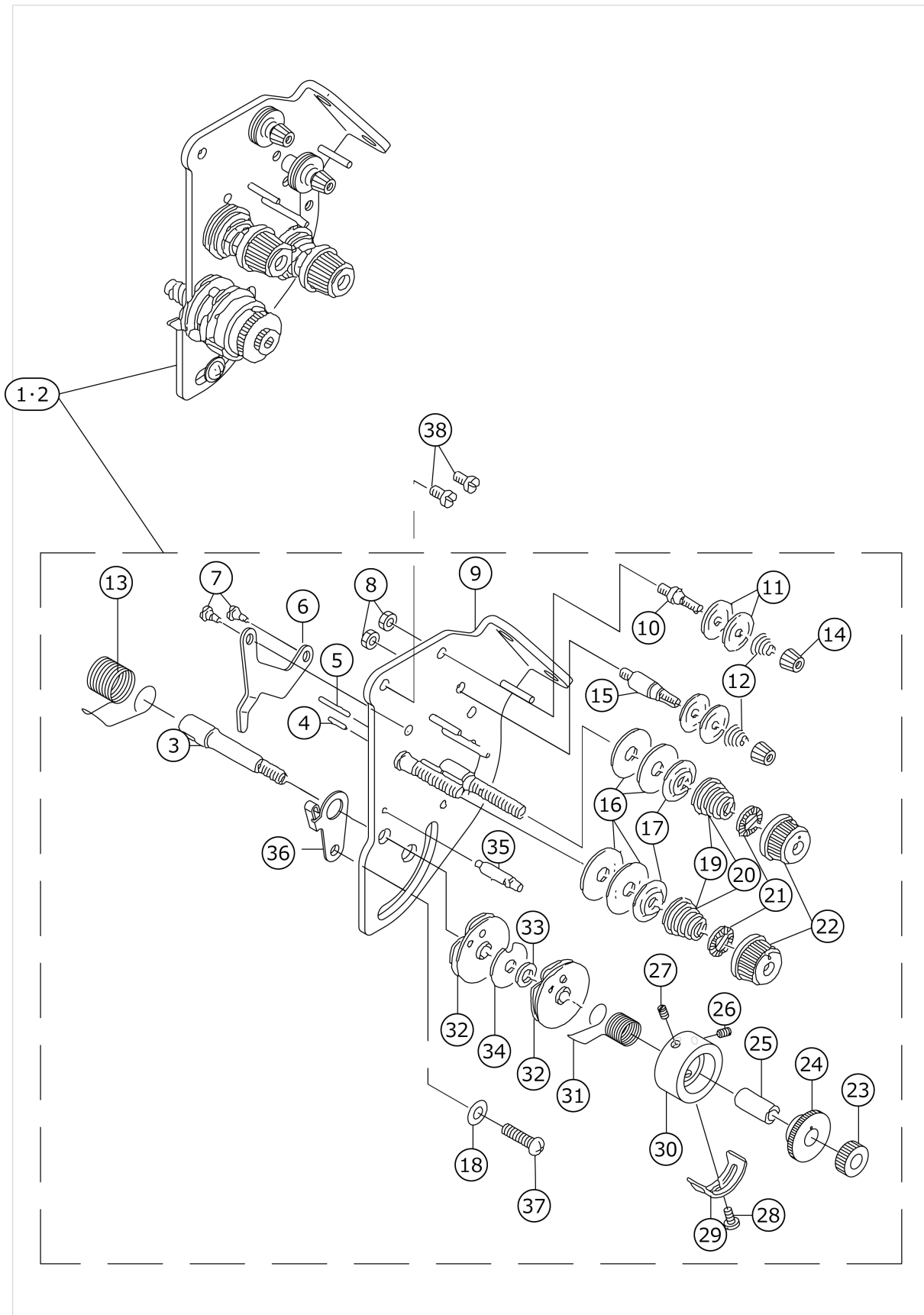
MAIN SHAFT, THREAD TAKE-UP & NEEDLE BAR COMPONENTS



No.	品番	品名	備考	子部品	消耗品	個数
1	22605356	THREAD TAKE-UP LEVER PIN ASM.				1.00
2	22605307	THREAD TAKE-UP LEVER PIN				1.00
3	CQ202000000	OIL WICK				0.40
4	CQ252000000	OIL WICK				0.04
5	23203706	THREAD TAKE-UP LEVER A	FOR LH-3120			1.00
6	23203805	THREAD TAKE-UP LEVER B	FOR LH-3120-7			1.00
7	22605406	TAKE-UP LEVER THRUST PIN				1.00
8	CQ252000000	OIL WICK				0.03
9	SS8151150TP	SCREW 15/64-28 L=10.5				2.00
10	23204308	NEEDLE BAR CRANK ROD				1.00
11	B12105260A0	NEEDLE BAR CRANK PIN ASM.				1.00
12	CQ505000000	OIL WICK				0.10
13	SS8680540SP	SCREW 9/32-28 L= 4.5				1.00
14	B1202512000	MAIN SHAFT BUSHING, FRONT				1.00
15	22622401	SYNCRO FRNGE	OPTIONAL PARTS			1.00
16	SS6661110SP	SCREW 1/4-40 L=11				4.00
17	22604508	HAND WHEEL	FOR LH-3120			1.00
18	SS8151550SP	SCREW 15/64-28 L=15	FOR LH-3120			2.00
19	22651566	HAND WHEEL ASM.	FOR LH-3120-7			1.00
20	22651558	HAND WHEEL		*		1.00
21	22651509	HAND WHEEL		*		1.00
22	M4002110000	GENERATOR ROTOR		*		1.00
23	M40071100AA	MAGNET FITTING BASE A ASM.		*		1.00
24	M40071100AB	MAGNET FITTING BASE B ASM.		*		1.00
25	SS8151550SP	SCREW 15/64-28 L=15		*		2.00
26	SS6111210SP	SCREW 11/64-40 L=12		*		2.00
27	WP0450801SD	WASHER 4.5X10X0.8		*		2.00
28	11032562	DYNAMO STATOR		*		1.00
29	10604809	SCREW		*		2.00
30	22603906	UPPER SHAFT INNER METAL				1.00
31	22622351	SENSOR SUPPORT SHAFT ASM.	OPTIONAL PARTS			1.00
32	22604656	THRUST COLLAR ASM.				1.00
33	22604607	THRUST COLLAR				1.00
34	SB120000100	BEARING D=20X47				1.00
35	RO437200200	RUBBER RING				1.00
36	SS8660530TP	SCREW 1/4-40 L= 4.5				2.00
37	22604409	COUNTERWEIGHT				1.00
38	SS8681650TP	SCREW 9/32-28 L=16				1.00
39	SS7681750TP	SCREW 9/32-28 L=16.5				1.00
40	SS8680810TP	SCREW 9/32-28 L=8.0				1.00
41	22604003	MAIN SHAFT				1.00
42	22604904	UPPER SPROCKET				1.00
43	22604300	TIMING BELT				1.00
44	22623201	SPROCKET WHEEL	FOR LH-3120			1.00
45	22651608	SPROCKET WHEEL	FOR LH-3120-7			1.00
46	SS7120760SP	SCREW 3/16-28 L= 7.0				2.00
47	23204258	NEEDLE BAR ROCKING BASE ASM.				1.00
48	MDP500B1100	NEEDLE DPX5 #11	FOR LH-3120-7			2.00
49	MC200520650	NEEDLE 134SES SERV7 NM65	FOR LH-3120 TYPE F			2.00

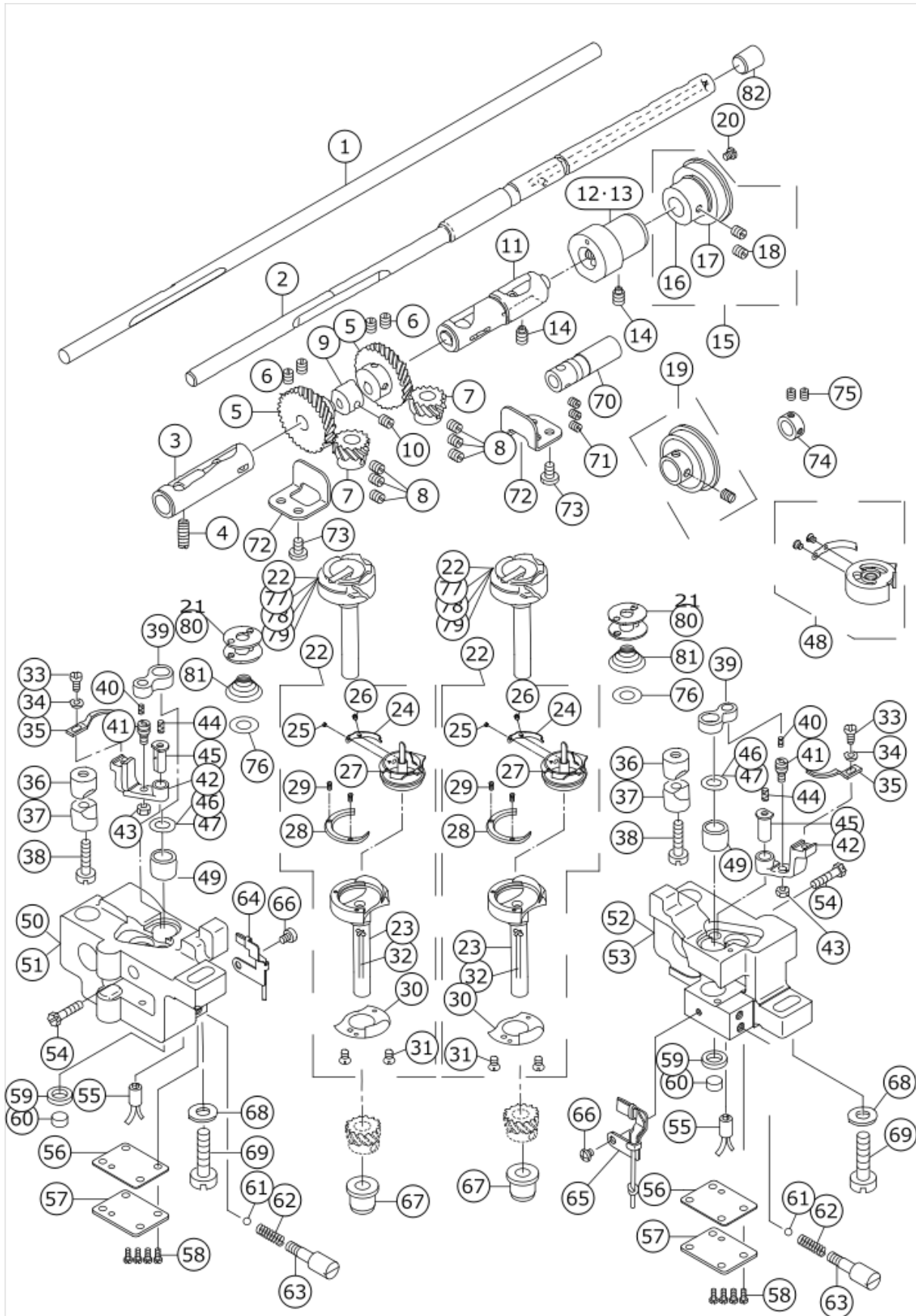
50	MDP500B0900	NEEDLE DPX5 #9	FOR LH-3120 TYPE A			2.00
51	B1438512B00	WASHER 17.1X28X1.5	SELECTIVE PART			1.00
52	22607303	BUSHING				1.00
53	22607402	BUSHING				1.00
54	10104800	NEEDLE BAR CONNECTION				1.00
55	SS7090910SP	SCREW 9/64-40 L= 8.5				1.00
56	CS170101ASZ	THRUST COLLAR ASM. D=17 W=10				1.00
57	23204506	ROCKING ROD SQUARE BLOCK A	SELECTIVE PART			1.00
58	23204605	ROCKING ROD SQUARE BLOCK B	SELECTIVE PART			1.00
59	23204704	ROCKING ROD SQUARE BLOCK C	SELECTIVE PART			1.00
60	22606008	NEEDLE BAR	FOR LH-3120			1.00
61	22651905	NEEDLE BAR	FOR LH-3120-7			1.00
62	10148054	NEEDLE CLAMP ASM. 1/4	EXCHANGING GAUGE PART(SEE P. 25)(ORDER FOR NEEDLE CLAMP ONLY CANNOT BE ACCEPTED)			1.00
63	SS8080660TP	SCREW 1/8-44 L=5.5		*		2.00
64	22811806	OIL SHIELD RUBBER.				1.00

TENSION POST COMPONENTS



No.	品番	品名	備考	子部品	消耗品	個数
1	22618458	THREAD TENSION ASM., A	TYPE A			1.00
2	22618656	THREAD TENSION ASM., F	TYPE F			1.00
3	10697605	THREAD TAKE-UP SPRING STUD		*		1.00
4	22618201	TENSION RELEASE PIN, A		*		1.00
5	22618300	TENSION RELEASE PIN, B		*		1.00
6	22618102	TENSION RELEASE LEVER		*		1.00
7	SD0470281SP	HINGE SCREW D=4.7 H=2.8		*		2.00
8	NS6110310SP	NUT 11/64-40		*		2.00
9	22618052	TENSION BASE PLATE ASM.		*		1.00
10	10124204	THREAD TENSION POST, A		*		1.00
11	10741106	FIRST THREAD TENSION PLATE		*		4.00
12	11045101	THREAD TENSION SPRING		*		2.00
13	22618706	THREAD TAKE-UP SPRING A		*		1.00
14	11072402	THREAD TENSION NUT		*		2.00
15	10124303	THREAD TENSION POST, B		*		1.00
16	B3126012000	THREAD TENSION DISK		*		4.00
17	22617906	THREAD TENSION DISK PRESSER		*		2.00
18	WP0501016SD	WASHER 5X10.5X1		*		1.00
19	D3129555D00	THREAD TENSION SPRING	TYPE A	*		2.00
20	B3121352000	TENSION SPRING	TYPE F	*		2.00
21	B3112704000	TENSION SPRING BUSHING		*		2.00
22	11956802	THREAD TENSION KNOB, BLUE		*		2.00
23	22617807	NUT		*		1.00
24	22617708	TAKE-UP SPRING GUIDE		*		1.00
25	B3141527000	PRESSER COLLAR		*		1.00
26	22618904	SET SCREW		*		1.00
27	22618904	SET SCREW		*		1.00
28	SS7090510SP	SCREW 9/64-40 L= 4.6		*		1.00
29	B3138527000	ADJUSTING PLATE B		*		1.00
30	22617609	THREAD TENSION POST		*		1.00
31	22618805	THREAD TAKE-UP SPRING B		*		1.00
32	B31375270A0	TAKE-UP SPRING GUIDE ASM.		*		2.00
33	B3139527000	COLLAR		*		1.00
34	B3142527000	TAKE-UP SPRING GUIDE PLATE		*		1.00
35	B3143527000	TAKE-UP SPRING GUIDE STUD		*		1.00
36	10697506	THREAD TENSION BRACKET, A		*		1.00
37	SS4110615SP	SCREW 11/64-40 L=6		*		1.00
38	SS4120615SP	SCREW 3/16-28 L=6				2.00

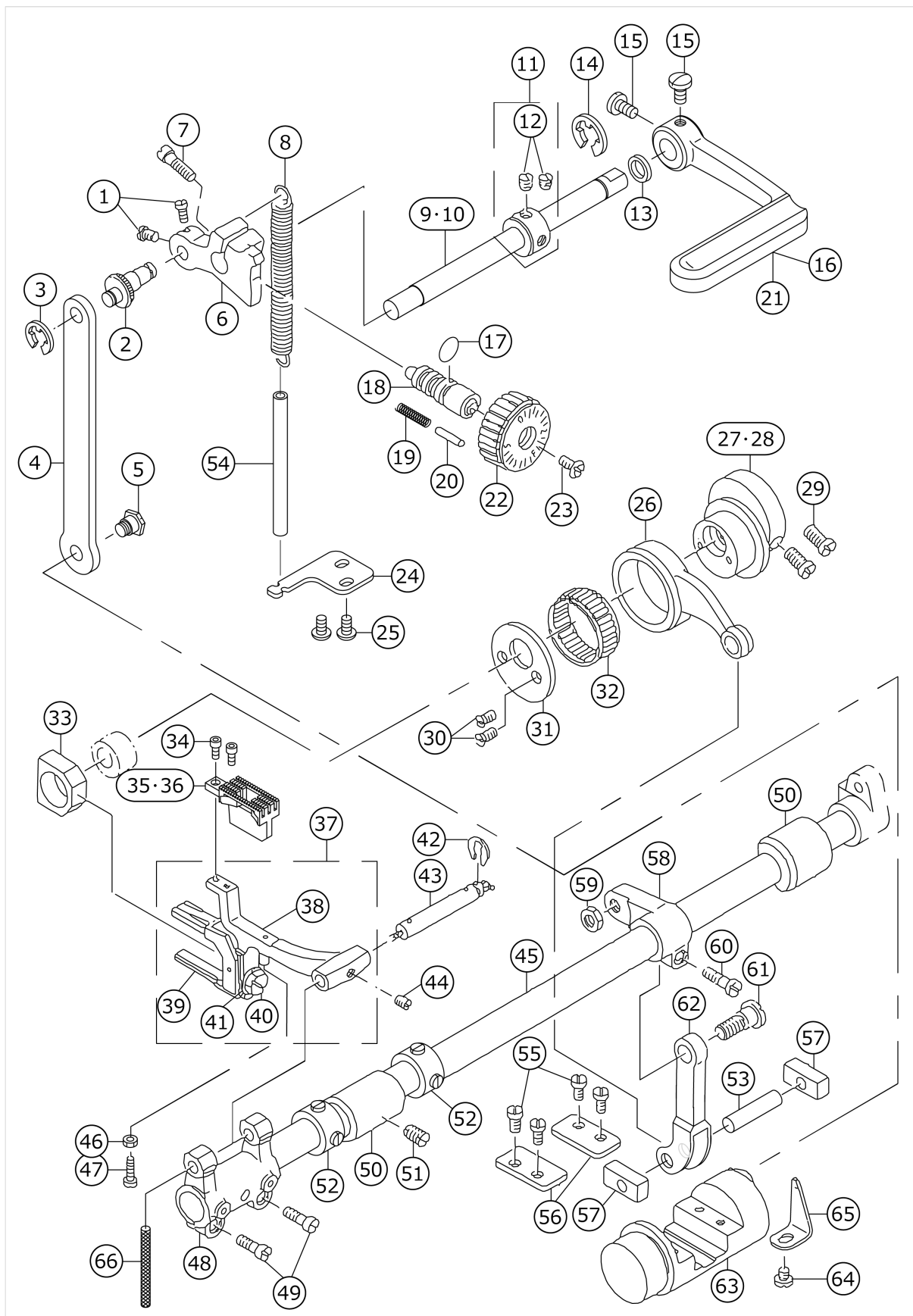
HOOK & HOOK DRIVING SHAFT COMPONENTS



No.	品番	品名	備考	子部品	消耗品	個数
1	22623102	LOWER SHAFT B	FOR LH-3120			1.00
2	10108512	HOOK DRIVING SHAFT	FOR LH-3120-7			1.00
3	B18025120A0A	BUSHING ASM., FRONT	SELECTIVE PART			1.00
4	SS8151150SP	SCREW 15/64-28 L=10.5				1.00
5	B1816512000	HOOK DRIVING SHAFT, LARGE				2.00
6	SS8660810TP	SCREW 1/4-40 L=8				4.00
7	10112001	HOOK SHAFT GEAR, A	SELECTIVE PART			2.00
8	SS8660530TP	SCREW 1/4-40 L= 4.5				6.00
9	22609804	FEED DRIVING CAM				1.00
10	SS8660530TP	SCREW 1/4-40 L= 4.5				1.00
11	B18035150A0	BUSHING ASM., INTERMEDIATE	SELECTIVE PART			1.00
12	22611701	PLUNGER BUSHING, B	FOR LH-3120			1.00
13	10108611	PLUNGER BUSHING	FOR LH-3120-7			1.00
14	SS8151150SP	SCREW 15/64-28 L=10.5				2.00
15	22611651	THRUST COLLAR ASM., B	FOR LH-3120			1.00
16	22611602	THRUST COLLAR, B		*		1.00
17	SB120000200	BEARING 20X42		*		1.00
18	SS8661030SP	SCREW 1/4-40 L=10		*		2.00
19	10611457	THRUST COLLAR ASM.	FOR LH-3120-7			1.00
20	SS7120760SP	SCREW 3/16-28 L= 7.0				2.00
21	B9117051000	BOBBIN	FOR LH-3120			2.00
22	22612055	HOOK ASM.	SELECTIVE PART			2.00
23	22612006	HOOK		*		2.00
24	22612402	BOBBIN CASE TENSION SPRING		*		2.00
25	10110500	TENSION SPRING INSTALLING SCRE		*		2.00
26	10110609	TENSION ADJUSTING SCREW		*		2.00
27	22612105	SWING HOOK		*		2.00
28	22612204	HOOK GIB		*		2.00
29	10112803	SCREW		*		4.00
30	22612303	NEEDLE POSITIONER		*		2.00
31	10112902	SCREW		*		4.00
32	22612501	LILYYARN		*		2.00
33	SS6090810SP	SCREW 9/64-40 L= 7.5				2.00
34	WP0371016SD	WASHER 3.7X8X1				2.00
35	22613509	BOBBIN CASE OPENING LEVER				2.00
36	10109908	SADDLE INSTALLING BLOCK, UPPER				2.00
37	10112407	SADDLE INSTALLING BLOCK, LOWER				2.00
38	SS6153040SP	SCREW 15/64-28 L=30				2.00
39	B1820563000	BOBBIN CASE OPENING LEVER LINK				2.00
40	CQ202000000	OIL WICK				0.03
41	B1821051000	CRANK SCREW STUD				2.00
42	B1822051000	OPENING LEVER CRANK				2.00
43	NS6110420SP	NUT 11/64-40				2.00
44	CQ202000000	OIL WICK				0.05
45	B1823051000	OPENING LEVER CRANK PIN				2.00
46	22614101	THRUST WASHER, B	SELECTIVE PART FOR LH-3120			2.00
47	10111201	THRUST WASHER, F	SELECTIVE PART FOR LH-3120-7			2.00
48	22612659	BOBBIN CASE ASM.				2.00

49	22613905	HOOK SHAFT UPPER METAL			2.00
50	22613103	HOOK SHAFT SADDLE, LEFT	FOR LH-3120		1.00
51	22653604	HOOK SHAFT SADDLE, LEFT	FOR LH-3120-7		1.00
52	22613004	HOOK SHAFT SADDLE, RIGHT	FOR LH-3120		1.00
53	22653505	HOOK SHAFT SADDLE, RIGHT	FOR LH-3120-7		1.00
54	SS7111810SP	SCREW 11/64-40 L=18			2.00
55	22615454	RUBBER BUSHING ASM.			2.00
56	22615108	GASKET			2.00
57	22615009	HOOK SHAFT SADDLE COVER			2.00
58	SS4110815SP	SCREW 11/64-40 L=8			8.00
59	22615306	FELT HOLDER			2.00
60	22615207	FELT			2.00
61	22615702	OIL ADJUSTING BALL			2.00
62	D3171415B0H	PRESSER SPRING			2.00
63	22615801	OIL ADJUSTING SCREW			2.00
64	22615959	OIL WICK HOLDER ASM. LEFT			1.00
65	22616254	OIL WICK HOLDER ASM. RIGHT			1.00
66	SS4110515SP	SCREW 11/64-40 L=5			2.00
67	22613400	HOOK DRIVING SHAFT BUSHING			2.00
68	WP0850002SP	WASHER 8.5X18X1.6			2.00
69	SM6082502TP	SCREW M8 L=25			2.00
70	22611909	OIL PUMP SHAFT	FOR LH-3120		1.00
71	SS8660530TP	SCREW 1/4-40 L= 4.5	FOR LH-3120		3.00
72	22613608	GEAR GUIDE			2.00
73	SS7110710SP	SCREW 11/64-40 L=7			4.00
74	CS1471012SH	THRUST COLLAR D=14.72 W=10	FOR LH-3120-7		1.00
75	SS8660530TP	SCREW 1/4-40 L= 4.5	FOR LH-3120-7		2.00
76	22653802	SHEET	FOR LH-3120-7		2.00
77	22612758	HOOK ASM.	SELECTIVE PART		2.00
78	22653158	RATCHET HOOK ASM.	SELECTIVE PART		2.00
79	22653059	CAP HOOK ASM.	SELECTIVE PART		2.00
80	10210805	HARD ALUMITE BOBBIN	FOR LH-3120-7		2.00
81	10111508	SPRING	FOR LH-3120-7		2.00
82	TA0500601M0	PLUG D=5X5.4 L=6	FOR LH-3120-7		1.00

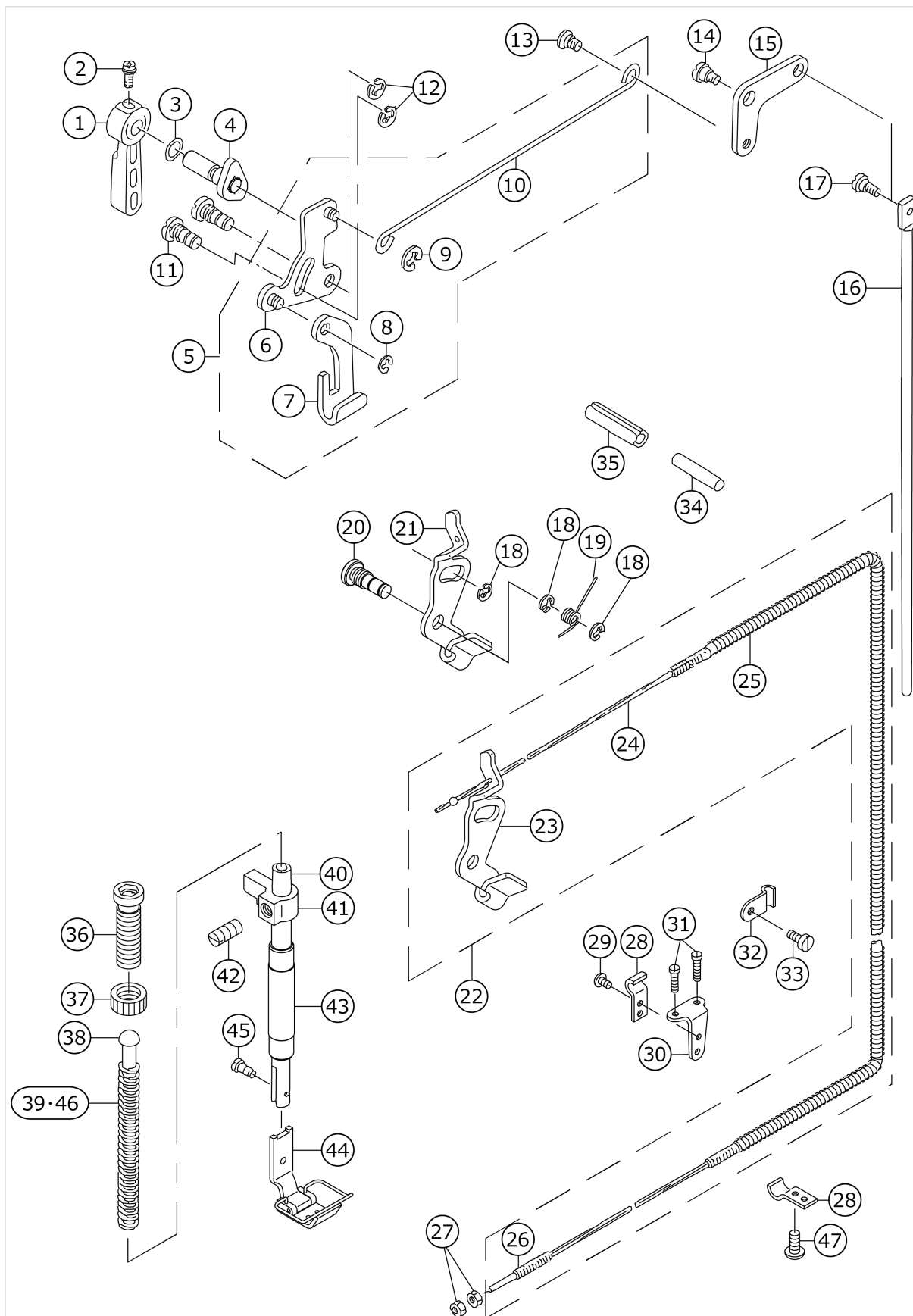
FEED MECHANISM COMPONENTS



No.	品番	品名	備考	子部品	消耗品	個数
1	SS6090670TP	SCREW 9/64-40 L=6				2.00
2	22610109	ROD PIN				1.00
3	RE0500000K0	E-RING				1.00
4	22610208	FEED REGULATOR CONNECTING ROD				1.00
5	SD0800422CP	HINGE SCREW D= 8 H= 4.2				1.00
6	22610000	FEED REGULATOR				1.00
7	SS7121410SP	SCREW 3/16-28 L=14				1.00
8	22610307	FEED REGULATOR SPRING				1.00
9	22610604	REVERSE FEED SHAFT				1.00
10	22652101	REVERSE FEED SHAFT	FOR LH-3120-7-OB, -WB			1.00
11	CS102121ASH	THRUST COLLAR ASM. D=10.2 W=12				1.00
12	SS8660610TP	SCREW 1/4-40 L=6		*		2.00
13	10108009	OIL SEAL				1.00
14	RE0900000K0	E-RING 9				1.00
15	SS7120910SP	SCREW 3/16-28 L=9				2.00
16	22610505	REVERSE FEED CONTROL LEVER				1.00
17	RO092270200	RUBBER RING				1.00
18	11009909	FEED REGULATOR SCREW				1.00
19	22912109	FEED REGULATOR PIN SPRING				1.00
20	11052701	PIN				1.00
21	22610901	REVERSE FEED CONTROL LEVER, F	TYPE F			1.00
22	11072006	FEED DIAL				1.00
23	SS6121860SP	SCREW 3/16-28 L=18				1.00
24	22610406	SPRING BRACKET				1.00
25	SS4110815SP	SCREW 11/64-40 L=8				2.00
26	22609200	FEED ROCK SHAFT CONNECTING ROD				1.00
27	22609002	FEED DRIVE ECCENTRIC CAM, B	FOR LH-3120			1.00
28	22652002	FEED DRIVE ECCENTRIC CAM	FOR LH-3120-7			1.00
29	SS6661110SP	SCREW 1/4-40 L=11				2.00
30	SS7110710SP	SCREW 11/64-40 L=7				2.00
31	22609101	CAM COVER				1.00
32	B1636581B00	NEEDLE BEARING B				1.00
33	B1610512000	FEED DRIVING SLIDE BLOCK				1.00
34	SS6580752TP	SCREW 1/8-40 L=7				2.00
35	22847602	FEED DOG, (1/4).	EXCHANGING GAUGE PART FOR LH-3120(SEE P.25)			1.00
36	22855605	THREAD CUTTING FEED DOG, 1/4.	EXCHANGING GAUGE PART FOR LH-3120-7(SEE P.25)			1.00
37	22609754	FEED BAR ASM.				1.00
38	22609705	FEED BAR		*		1.00
39	10107902	FEED BAR FORK		*		1.00
40	SS9151440CP	SCREW 15/64-28 L=14		*		1.00
41	WP0621016SD	WASHER 6.2X13X1		*		1.00
42	RE0500711KP	SNAP RING 5				1.00
43	B1604012000A	FEED BAR SHAFT				1.00

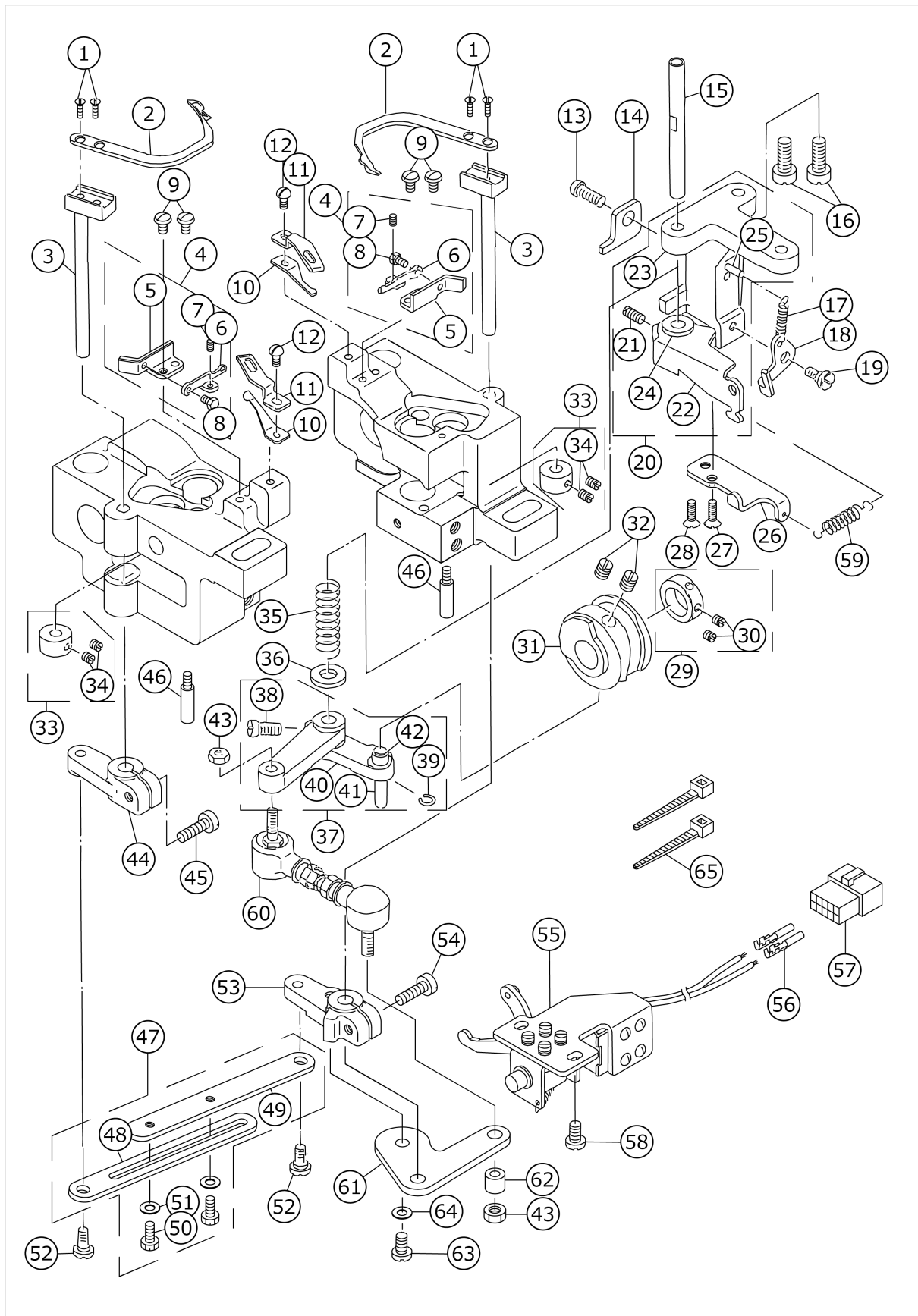
44	SM8050502TP	SCREW M5 L=5				1.00
45	22609408	FEED ROCK SHAFT				1.00
46	NS6080210SP	NUT 1/8-44				1.00
47	SS6081810SP	SCREW 1/8-44 L=18.0				1.00
48	B1603512000	FEED ROCKER				1.00
49	SS7111310TP	SCREW 11/64-40 L=12.8				2.00
50	10106102	BUSHING				2.00
51	SS8151150SP	SCREW 15/64-28 L=10.5				1.00
52	22904155	MAIN SHAFT THRUST COLLAR ASM.				2.00
53	B1653470000	PIN				1.00
54	BT0500300EA	OIL TUBE				0.09
55	SS7110910SP	SCREW 11/64-40 L=8.5				4.00
56	10315505	PLATE				2.00
57	22609606	FEED DRIVING ROCKER BLOCK, S				2.00
58	22609309	FEED ROCKER SHAFT CRANK				1.00
59	NS6680320SP	NUT 9/32-28				1.00
60	SS6121610TP	SCREW 3/16-28 L=15.5				1.00
61	SD0900701TP	HINGE SCREW D= 9 H= 7				1.00
62	10315208	FEED ROCK CONNECTING ROD				1.00
63	10315455	FEED DRIVING ROCKER ASM.				1.00
64	SS7110510SP	SCREW 11/64-40 L=5				1.00
65	B1633470000	STOPPER PLATE				1.00
66	CQ252000000	OIL WICK				0.26

PRESSER BAR & TENSION RELEASE COMPONENTS



No.	品番	品名	備考	子部品	消耗品	個数
1	11071800	HAND LIFTER				1.00
2	B1521555000	SCREW				1.00
3	RO037180100	RUBBER RING				1.00
4	22908552	HAND LIFTER CAM ASM.				1.00
5	22608152	LIFTING LEVER ROD ASM.				1.00
6	11006350	HAND LIFTER LINK		*		1.00
7	11006202	LIFTING LEVER		*		1.00
8	11007309	E-RING		*		1.00
9	RE0500000K0	E-RING		*		1.00
10	22608103	LIFTING LEVER CONNECTING ROD		*		1.00
11	11006509	LINK SHAFT				2.00
12	RE0500000K0	E-RING				2.00
13	11007101	HINGE SCREW				1.00
14	SD0720332SP	HINGE SCREW D= 7.24 H= 3.3				1.00
15	22908800	KNEE LIFTER LINK				1.00
16	10125201	CONNECTING ROD, VERTICAL				1.00
17	SD0600322SD	HINGE SCREW D=6 H=3.2				1.00
18	RE0500000K0	E-RING				3.00
19	11018207	TENSION RELEASE RETURN SPRING				1.00
20	11018108	TENSION RELEASE SHAFT				1.00
21	22617104	TENSION RELEASE PLATE	FOR LH-3120			1.00
22	22654958	TENSION RELEASE PLATE ASM.	FOR LH-3120-7			1.00
23	22617104	TENSION RELEASE PLATE		*		1.00
24	11394509	WIRE CABLE		*		1.00
25	22654909	WIRE TUBE		*		1.00
26	D3159555B00	SET SCREW		*		1.00
27	NS6620310SP	NUT 3/16-32	FOR LH-3120-7			2.00
28	D3164555B00	OUTER PRESSER PLATE	FOR LH-3120-7			2.00
29	SS4110715SP	SCREW 11/64-40 L=7	FOR LH-3120-7			1.00
30	D3163555B00A	FLEXIBLE TUBE SUPPORT PLATE	FOR LH-3120-7			1.00
31	SS4111215SP	SCREW 11/64-40 L=12	FOR LH-3120-7			2.00
32	22620801	PIPE HOLDER	FOR LH-3120-7			1.00
33	SS4111015SP	SCREW 11/64-40 L=10	FOR LH-3120-7			1.00
34	22617005	PUSH BAR				1.00
35	PS0600502KP	SPRING PIN				1.00
36	11071602	PRESSER SPRING REGULATOR				1.00
37	11071701	NUT				1.00
38	22907703	PRESSER GUIDE BAR				1.00
39	B1505227T00A	PRESSER SPRING T				1.00
40	B1501581000	PRESSER BAR				1.00
41	22608004	NEEDLE BAR GUIDE BRACKET				1.00
42	SS8660810TP	SCREW 1/4-40 L=8				1.00
43	22907109	PRESSER BAR BUSHING, LOWER				1.00
44	10392256	PRESSER FOOT ASM. 1/4	EXCHANGING GAUGE PART(SEE P. 25)			1.00
45	SS7090910TP	SCREW 9/64-40 L= 8.5				1.00
46	22608400	SPRING, F	FOR STITCH SPEC.F			1.00
47	SS4110515SP	SCREW 11/64-40 L=5				1.00

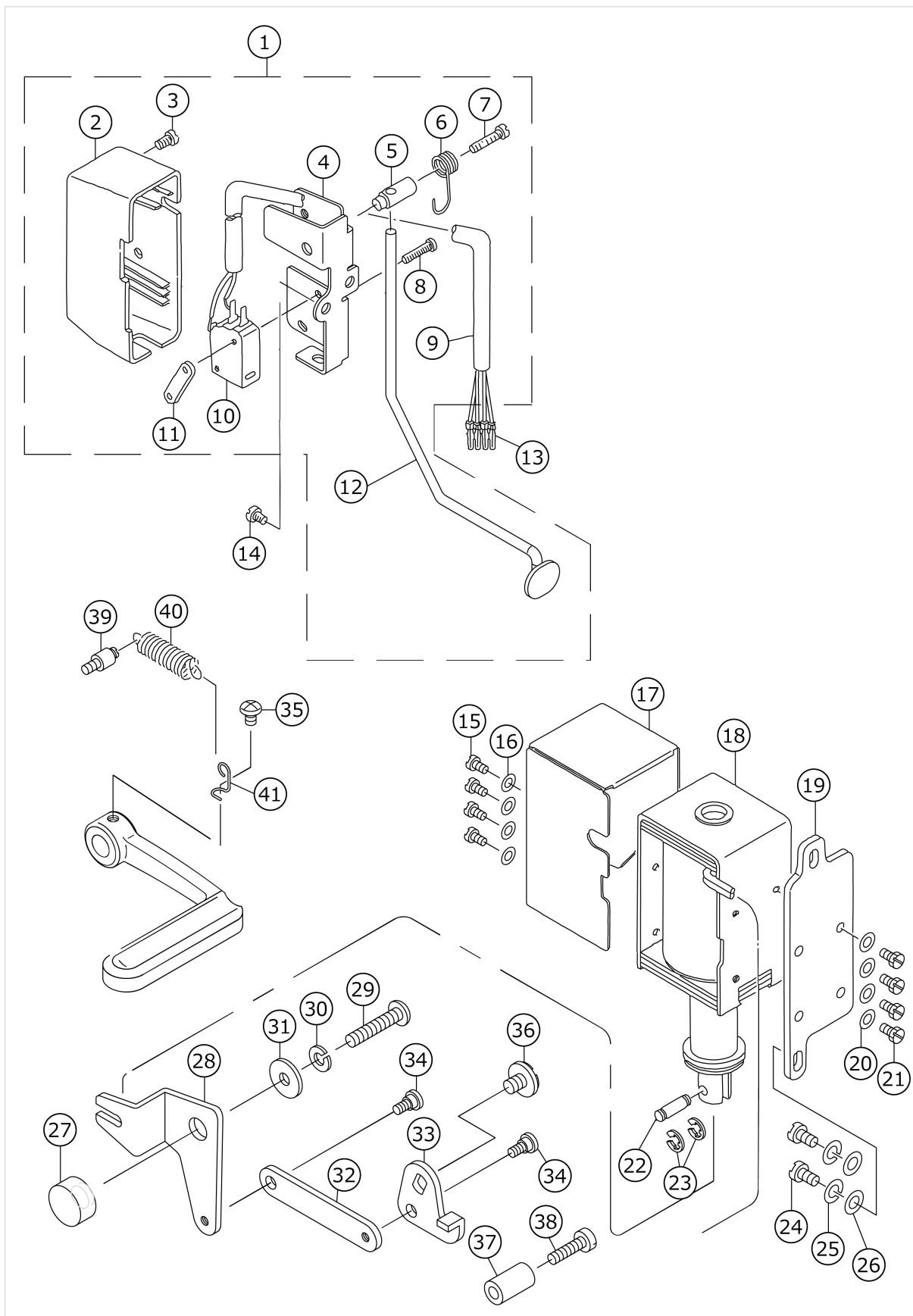
THREAD TRIMMER MECHANISM COMPONENTS (FOR LH-3120-7)



No.	品番	品名	備考	子部品	消耗品	個数
1	SS2080810SP	SCREW 1/8-44 L=7.5				4.00
2	10211605	MOVING KNIFE				2.00
3	10116051	MOVING KNIFE SHAFT ASM.				2.00
4	22654255	MOVING KNIFE SUPPORT ASM.				2.00
5	22654206	MOVING KNIFE SUPPORT PLATE		*		2.00
6	10211407	THREAD PRESSER ADJUSTING PLATE		*		2.00
7	SS8080610SP	SCREW 1/8-44 L=5.5		*		2.00
8	SS9080410SP	SCREW 1/8-44 L=4.3		*		2.00
9	SS5090610SP	SCREW 9/64-40 L=6				4.00
10	22655401	THREAD PRESSER				2.00
11	22655302	COUNTER KNIFE				2.00
12	SS7090710SP	SCREW 9/64-40 L= 6.8				2.00
13	SS6121212TP	SCREW 3/16-28 L=12.0				1.00
14	22654800	STOPPER, A				1.00
15	10116804	SHAFT				1.00
16	SS7151610SP	SCREW 15/64-28 L=16				2.00
17	B3418180000	SPRING				1.00
18	10117208	TENSION DISC RELEASE PLATE				1.00
19	SD0600271SP	HINGE SCREW D= 6 H= 2.7				1.00
20	22655153	LINK INSTALLING BASE ASM.				1.00
21	SS8111010TP	SCREW 11/64-40 L=9.5		*		1.00
22	22655104	TENSION DISC RELEASE ARM		*		1.00
23	10116606	LINK INSTALLING BASE		*		1.00
24	10117109	BUSHING		*		1.00
25	PS0300201KP	SPRING PIN 3.0X20		*		1.00
26	22654701	STOPPER PLATE				1.00
27	SS2110920TP	SCREW 11/64-40 L=8.5				1.00
28	SS2110930SP	SCREW 11/64-40 L=8.7				1.00
29	CS1470710SH	THRUST COLLAR ASM. D=14.72 W=7				1.00
30	SS8110410TP	SCREW 11/64-40 L= 3.5		*		2.00
31	22654107	THREAD TRIMMER CAM				1.00
32	SS8660810TP	SCREW 1/4-40 L=8				2.00
33	CS070081BSH	THRUST COLLAR ASM. D=7 W=8				2.00
34	SS8110510SP	SCREW 11/64-40 L=5		*		4.00
35	10116903	SPRING				1.00
36	WP0753016SZ	WASHER 7.5X16.0X3.0				1.00
37	10116754	CAM INSTALLING LINK ASM.				1.00
38	SS6151220SP	SCREW 15/64-28 L=11.5		*		1.00
39	D2430555B00	SNAP RING		*		1.00
40	10116705	CAM INSTALLING LINK		*		1.00
41	D2428555B00A	CAM ROLLER SHAFT		*		1.00
42	D2427555B00B	CAM ROLLER		*		1.00
43	NM6050001SP	NUT M5				2.00
44	22654404	DRIVING ARM, LEFT				1.00
45	SS6121610TP	SCREW 3/16-28 L=15.5				1.00
46	B1515051000	HAND LIFTER PIN				2.00
47	22654552	CONNECTING LINK ASM.				1.00
48	22654503	CONNECTING LINK, A		*		1.00
49	22654602	CONNECTING LINK, B		*		1.00
50	SS9111010SP	SCREW 11/64-40 L=9.5		*		2.00

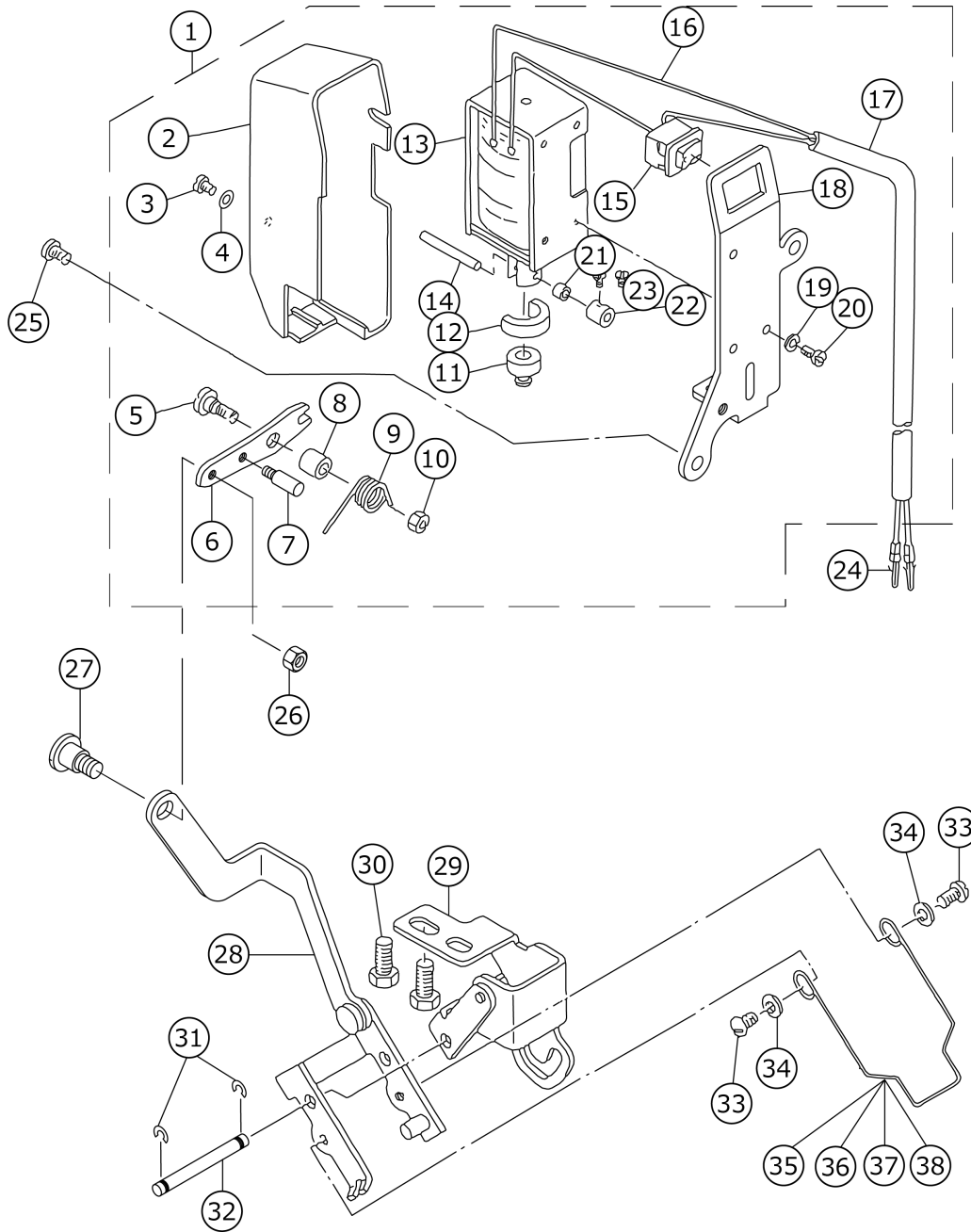
51	WP0501016SD	WASHER 5X10.5X1		*		2.00
52	SD0650305TP	HINGE SCREW D= 6.5 H= 3				2.00
53	22654305	DRIVING ARM, RIGHT				1.00
54	SS6121610TP	SCREW 3/16-28 L=15.5				1.00
55	10117851	SOLENOID ASM.				1.00
56	HK03464000B	PIN CONTACT				2.00
57	HK034610140	HOUSING 14P				1.00
58	SS6151040SP	SCREW 15/64-28 L=10				2.00
59	B3041980000	SPRING				1.00
60	22655005	JOINT ROD				1.00
61	22654008	DRIVING ARM PLATE				1.00
62	B3417051000	REAR LIFTING BAR ROLLER				1.00
63	SS6120940SP	SCREW 3/16-28 L=9				1.00
64	WP0501016SD	WASHER 5X10.5X1				1.00
65	EA9500B0100	CABLE BAND				2.00

AUTOMATIC REVERSE FEED MECHANISM COMPONENTS (FOR LH-3120-7)



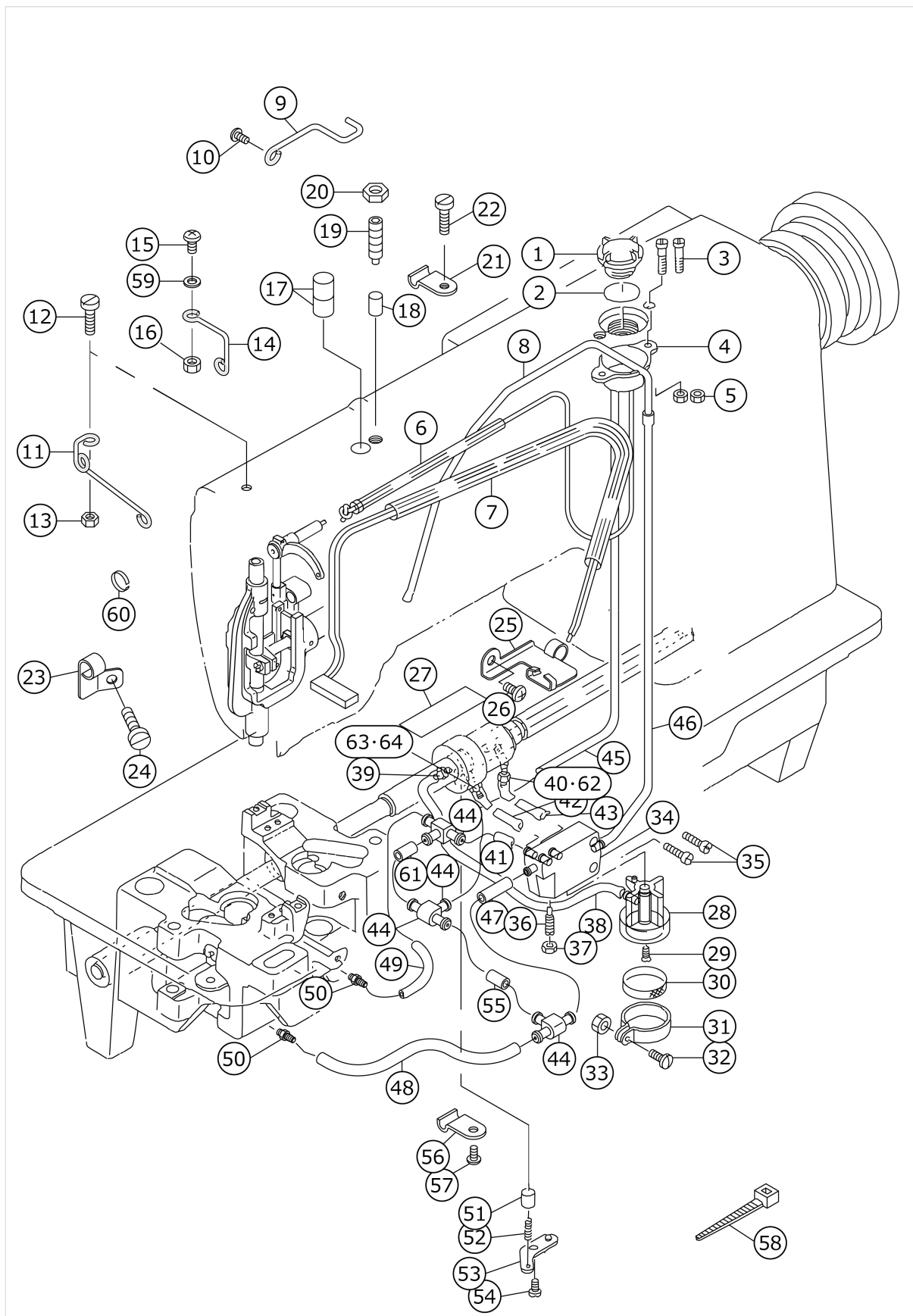
No.	品番	品名	備考	子部品	消耗品	個数
1	22656557	REVERSE FEED SWITCH ASM.				1.00
2	11072501	REVERSE FEED SWITCH COVER		*		1.00
3	SM4040655SP	SCREW M4 L=6		*		1.00
4	22656508	REVERSE FEED SWITCH BASE		*		1.00
5	11102100	REVERSE FEED SWITCH SHAFT		*		1.00
6	11102209	REVERSE FEED SWITCH SPRING		*		1.00
7	SM4041655SP	SCREW M4 L=16		*		1.00
8	SM4031501SC	SCREW M3 L=15		*		2.00
9	HW500070000	2-CORE CABTYRE CORD		*		1.40
10	HA001900000	MICROSWITCH		*		1.00
11	11102308	MICRO SWITCH PLATE		*		1.00
12	22656607	REVERSE FEED SWITCH LEVER		*		1.00
13	HK03464000B	PIN CONTACT				4.00
14	SS4120615SP	SCREW 3/16-28 L=6				2.00
15	SS7110710SP	SCREW 11/64-40 L=7				4.00
16	WP0501016SD	WASHER 5X10.5X1				4.00
17	10161305	SOLENOID COVER				1.00
18	10119105	REVERSE FEED SOLENOID, AC24V				1.00
19	10119204	SOLENOID INSTALLING PLATE				1.00
20	WP0501016SD	WASHER 5X10.5X1				4.00
21	SS9111010SP	SCREW 11/64-40 L=9.5				4.00
22	D2464555B00	LINK DRIVING MAGNET PIN				1.00
23	RE0400000K0	E-RING 4				2.00
24	SS7151210SP	SCREW 15/64-28 L=12				2.00
25	WS0631510KP	SPRING WASHER				2.00
26	WP0621016SD	WASHER 6.2X13X1				2.00
27	22656409	LINK FULCULUM				1.00
28	22656300	REVERSE FEED LINK, L				1.00
29	SS4153015SP	PAN-SCREW 15/64-28 L=30				1.00
30	WS0610002KP	SPRING WASHER				1.00
31	WP0612056SD	WASHER 6.1X18.5X2				1.00
32	22656201	REVERSE FEED LINK, (2)				1.00
33	22656102	REVERSE FEED LINK, (1)				1.00
34	SD0640321SP	HINGE SCREW D= 6.35 H= 3.2				2.00
35	SS4120615SP	SCREW 3/16-28 L=6				1.00
36	SS7120760SP	SCREW 3/16-28 L= 7.0				1.00
37	11100500	REVERSE FEED LEVER STOPPER				1.00
38	SS6121840SP	SCREW 3/16-28 L=18				1.00
39	B1506352000	TENSION SPRING RACK B				1.00
40	13515606	SPRING				1.00
41	22656003	SPRING SUSPENSION				1.00

WIPER MECHANISM COMPONENTS (FOR LH-3120-7)



No.	品番	品名	備考	子部品	消耗品	個数
1	22657159	WIPER SOLENOID ASM.				1.00
2	11072709	WIPER COVER		*		1.00
3	SM4030601SN	SCREW M3 X 6		*		1.00
4	WP0320501SC	WASHER M3		*		1.00
5	SD0650321TP	HINGE SCREW D=6.5 H=3.2		*		1.00
6	22657209	WIPER LINK, A		*		1.00
7	B2024771000	SUSPENSION SCREW		*		1.00
8	11110707	WIPER HINGE SCREW COLLAR		*		1.00
9	22657308	WIPER SPRING		*		1.00
10	NS6110310SP	NUT 11/64-40		*		1.00
11	11110400	WIPER RUBBER A		*		1.00
12	11110509	WIPER RUBBER B		*		1.00
13	11110301	WIPER SOLENOID		*		1.00
14	11111705	WIPER SOLENOID PIN		*		1.00
15	HA000590000	POWER SWITCH		*		1.00
16	HW200390000	ELECTRIC WIRE		*		0.10
17	HW500070000	2-CORE CABTYRE CORD		*		1.40
18	22657100	WIPER SOLENOID BASE		*		1.00
19	WS0310002KN	SPRING WASHER M3		*		3.00
20	SM4030601SN	SCREW M3 X 6		*		3.00
21	11111804	WIPER LINK COLLAR		*		1.00
22	CS0300711SP	THRUST COLLAR		*		1.00
23	SS6080320SP	SCREW 1/8-44 L= 2.5		*		2.00
24	HK03464000B	PIN CONTACT				2.00
25	SS4120615SP	SCREW 3/16-28 L=6				1.00
26	NS6090310SP	NUT 9/64-40				1.00
27	SD0500301SP	HINGE SCREW D= 5 H= 3				1.00
28	22657050	WIPER LINK ASM., 2				1.00
29	10208551	WIPER BASE ASM.				1.00
30	SS9111010SP	SCREW 11/64-40 L=9.5				2.00
31	RE0320000K0	E-RING 3.2				2.00
32	10208700	WIPER LINK SHAFT				1.00
33	SS3090520SP	SCREW 9/64-40 L=4.5				2.00
34	WP0371016SD	WASHER 3.7X8X1				2.00
35	10209203	WIPER 3/32-3/8	SELECTIVE PART(SEE P.27)			1.00
36	10209500	WIPER	SELECTIVE PART(SEE P.27)			1.00
37	10209807	WIPER	SELECTIVE PART(SEE P.27)			1.00
38	10209906	WIPER	SELECTIVE PART(SEE P.27)			1.00

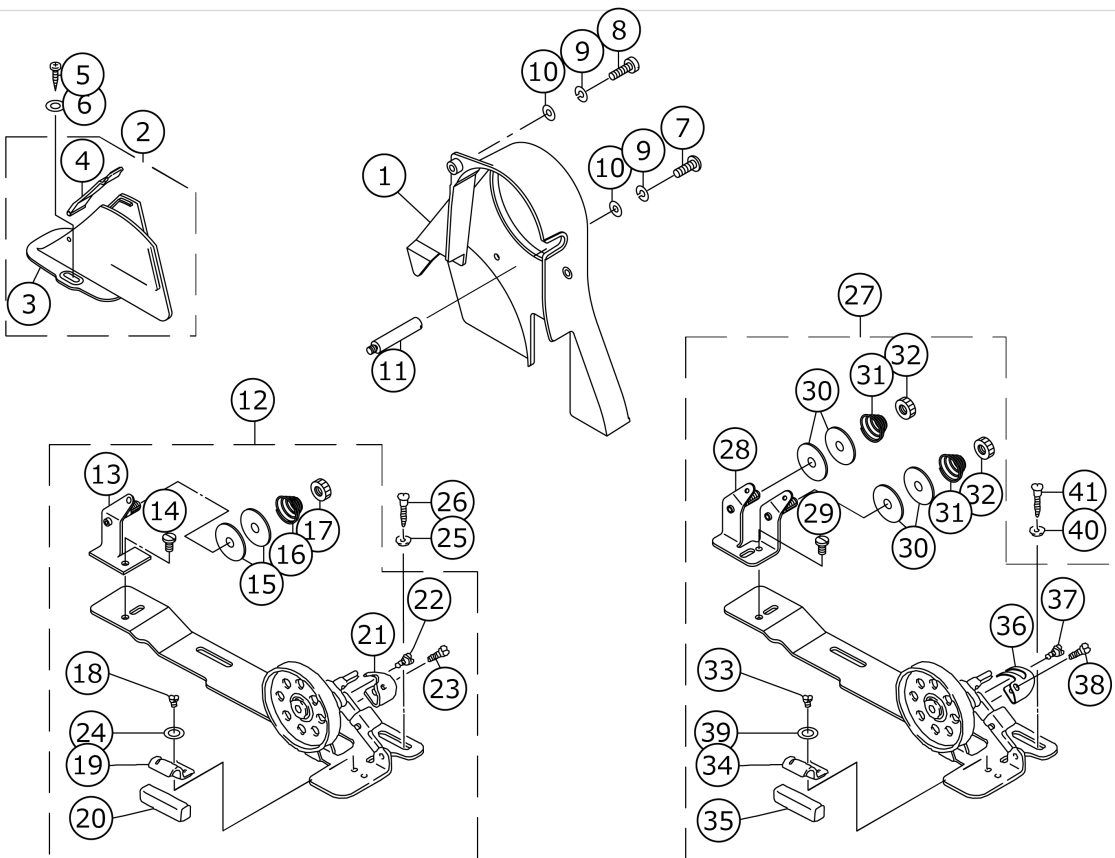
LUBRICATION COMPONENTS



No.	品番	品名	備考	子部品	消耗品	個数
1	B3530555000	OIL SIGHT WINDOW				1.00
2	RO195240100	RUBBER RING				1.00
3	SS4111815SP	SCREW 11/64 L=18				2.00
4	10216703	OIL TANK				1.00
5	NS6110310SN	NUT 11/64-40				2.00
6	22620355	OIL PIPE ASM.				1.00
7	22620454	FELT ASM.				1.00
8	22620702	OIL TUBE				1.00
9	22620108	PIPE HOLDER, B				1.00
10	SS4110715SP	SCREW 11/64-40 L=7				1.00
11	22619209	OIL WICK GUIDE				1.00
12	SS6121610SP	SCREW 3/16-28 L=15.5				1.00
13	NS6120310SP	NUT 3/16-28				1.00
14	22620504	OIL WICK HOLDER				1.00
15	SS4111215SP	SCREW 11/64-40 L=12				1.00
16	NS6110420SP	NUT 11/64-40				1.00
17	B3517009000	OIL FELT REAR				2.00
18	22619415	OIL ADJUSTING SHAFT				1.00
19	SS8701782TP	SCREW 5/16-24 L=17.0				1.00
20	NS6700420SP	NUT 5/16-24				1.00
21	22620801	PIPE HOLDER				1.00
22	SS6111610SP	SCREW 11/64-40 L=16				1.00
23	22619902	PIPE HOLDER				1.00
24	SS4110615SP	SCREW 11/64-40 L=6				1.00
25	22619803	VILENE HOLDER				1.00
26	SS4110715SP	SCREW 11/64-40 L=7				1.00
27	22619605	VILENE				1.00
28	22619001	SUCTION				1.00
29	SS2110930SP	SCREW 11/64-40 L=8.7				1.00
30	B1851512000	FILTER SCREEN				1.00
31	B1850512000	BUSHING HOLDER				1.00
32	SS7090910SP	SCREW 9/64-40 L= 8.5				1.00
33	NS6090310SP	NUT 9/64-40				1.00
34	10623403	BASE				1.00
35	SS6111610SP	SCREW 11/64-40 L=16				2.00
36	B1834512000A	OIL ADJUSTING SCREW				1.00
37	NS6110310SP	NUT 11/64-40				1.00
38	23630007	TUBE				0.12
39	SQ1150451MZ	CONNECTING SCREW				1.00
40	SQ1110401MZ	CONNECTING SCREW	FOR LH-3120-7			1.00
41	23630007	TUBE				0.02
42	23630007	TUBE				0.08
43	23630007	TUBE				0.09
44	13765607	OIL CONNEC. ARM				3.00
45	23630007	TUBE				0.51
46	23630007	TUBE				0.40
47	23630007	TUBE				0.05
48	23630007	TUBE				0.21
49	23630007	TUBE				0.15
50	SQ1110401MZ	CONNECTING SCREW				2.00

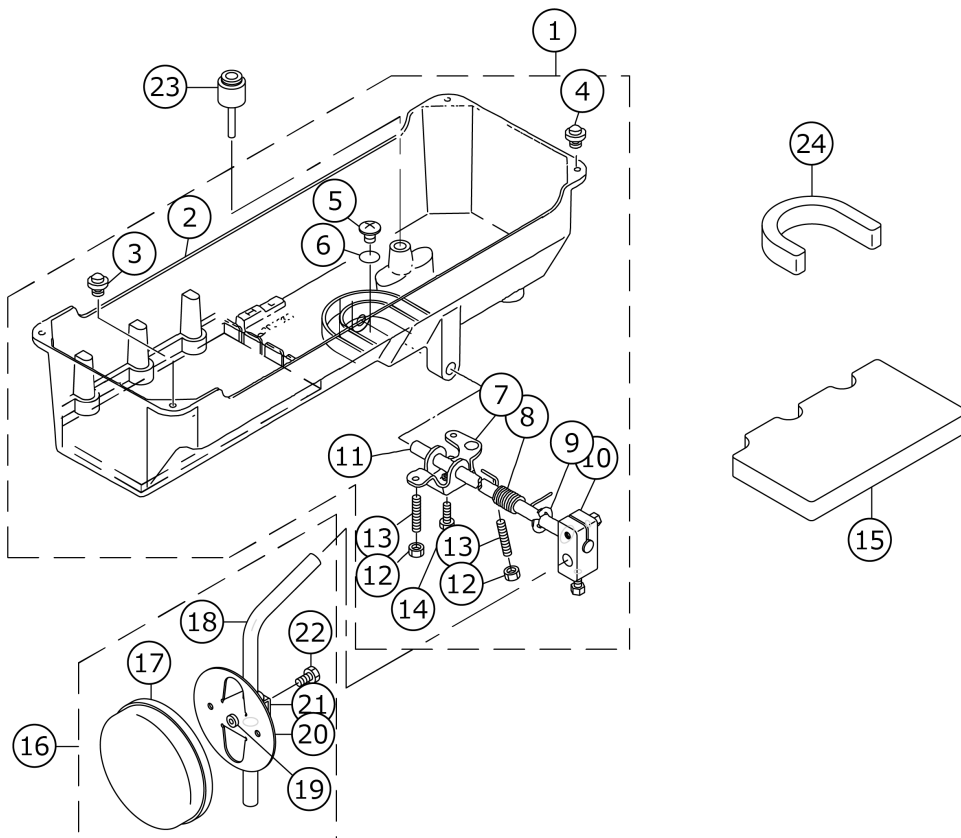
51	B3534155000	PLUNGER				1.00
52	B1214038000	PLUNGER SPRING				1.00
53	B3524552000	PLUNGER THRUST PLATE				1.00
54	SS4110815SP	SCREW 11/64-40 L=8				1.00
55	23630007	TUBE				0.02
56	B3538112000	OIL RETURN TUBE HOLDER				1.00
57	SS4110815SP	SCREW 11/64-40 L=8				1.00
58	EA9500B0100	CABLE BAND				1.00
59	B3534012000	GASKET				1.00
60	B1414512000	OIL WICK RETAINER				1.00
61	23630007	TUBE				0.02
62	22619704	OILING JOINT	FOR LH-3120			1.00
63	22619704	OILING JOINT	FOR LH-3120-7			1.00
64	SQ1110401MZ	CONNECTING SCREW	FOR LH-3120			1.00

BELT COVER & BOBBIN WINDER COMPONENTS



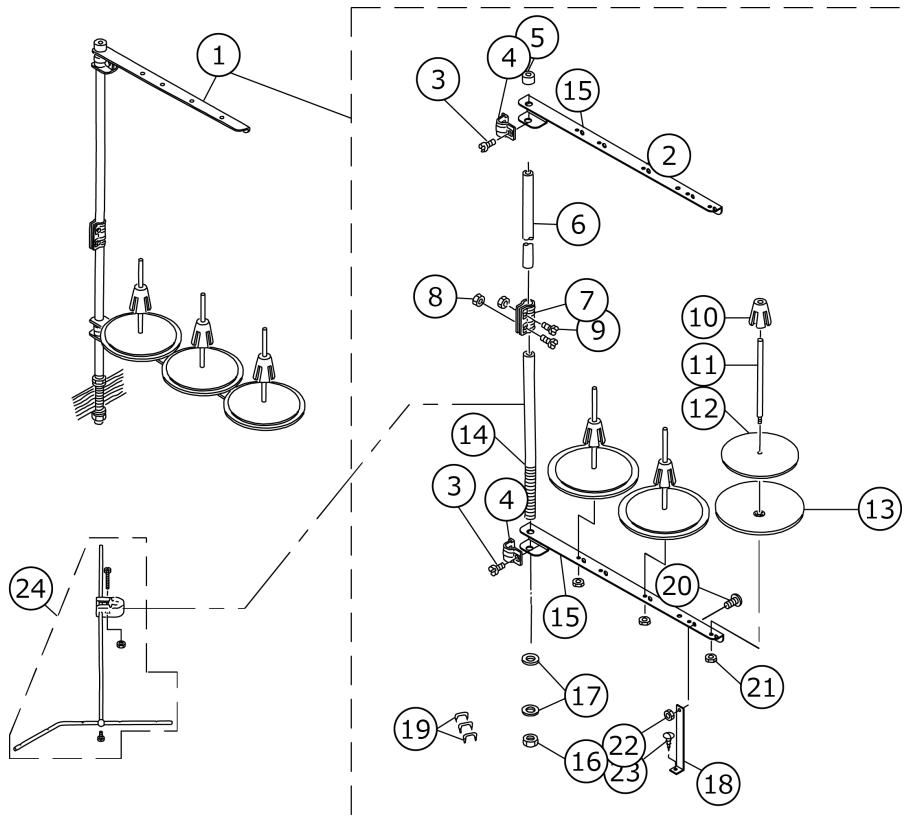
No.	品番	品名	備考	子部品	消耗品	個数
1	22603401	BELT COVER A ASM.				1.00
2	11076858	BELT COVER B ASM.				1.00
3	11076809	BELT COVER B		*		1.00
4	11076957	BELT COVER B CAP ASM.		*		1.00
5	SK3412000SC	WOOD SCREW D=4.1 L=20				2.00
6	WP0501016SC	WASHER 5X10.5X1				2.00
7	SS4111215SP	SCREW 11/64-40 L=12				2.00
8	SS6121610SP	SCREW 3/16-28 L=15.5				1.00
9	WS0451040KP	SPRING WASHER 4.5X8.5X1				3.00
10	WP0501016SD	WASHER 5X10.5X1				3.00
11	B8233555000	BELT COVER SUPPORT STUD				2.00
12	11077567	BOBBIN WINDER COMPL.				1.00
13	11078250	THREAD TENSION BRACKET ASM.		*		1.00
14	SS7110840SP	SCREW 11/64-40 L=7.8		*		1.00
15	B3126012000	THREAD TENSION DISK		*		2.00
16	B3129012B00	THREAD TENSION SPRING		*		1.00
17	B3125012000	THREAD TENSION NUT		*		1.00
18	SS4110515SP	SCREW 11/64-40 L=5		*		1.00
19	11078102	PRESSER PLATE		*		1.00
20	B3211555000	RUBBER BRAKE		*		1.00
21	11078003	POSITIONING FINGER		*		1.00
22	SD0490261SP	HINGE SCREW D=4.9 H=2.6		*		1.00
23	SS7081310SP	SCREW 1/8-44 L=12.5		*		1.00
24	WP0480856SP	WASHER 4.8X8.4X0.8		*		1.00
25	WP0501016SC	WASHER 5X10.5X1				2.00
26	SK3482500SC	WOOD SCREW D=4.8 L=25				2.00
27	22621155	THREAD WINDER ASM.	FOR JE			1.00
28	22621056	TENSION BAR BASE		*		1.00
29	SS7110840SP	SCREW 11/64-40 L=7.8		*		1.00
30	B3126012000	THREAD TENSION DISK		*		4.00
31	B3129012B00	THREAD TENSION SPRING		*		2.00
32	B3125012000	THREAD TENSION NUT		*		2.00
33	SS4110515SP	SCREW 11/64-40 L=5		*		1.00
34	11078102	PRESSER PLATE		*		1.00
35	B3211555000	RUBBER BRAKE		*		1.00
36	22621106	BOBBIN PRESSER		*		1.00
37	SD0490261SP	HINGE SCREW D=4.9 H=2.6		*		1.00
38	SS7081310SP	SCREW 1/8-44 L=12.5		*		1.00
39	WP0480856SP	WASHER 4.8X8.4X0.8		*		1.00
40	WP0501016SC	WASHER 5X10.5X1				2.00
41	SK3482500SC	WOOD SCREW D=4.8 L=25				2.00

OIL RESERVOIR & KNEE LIFTER COMPONENTS



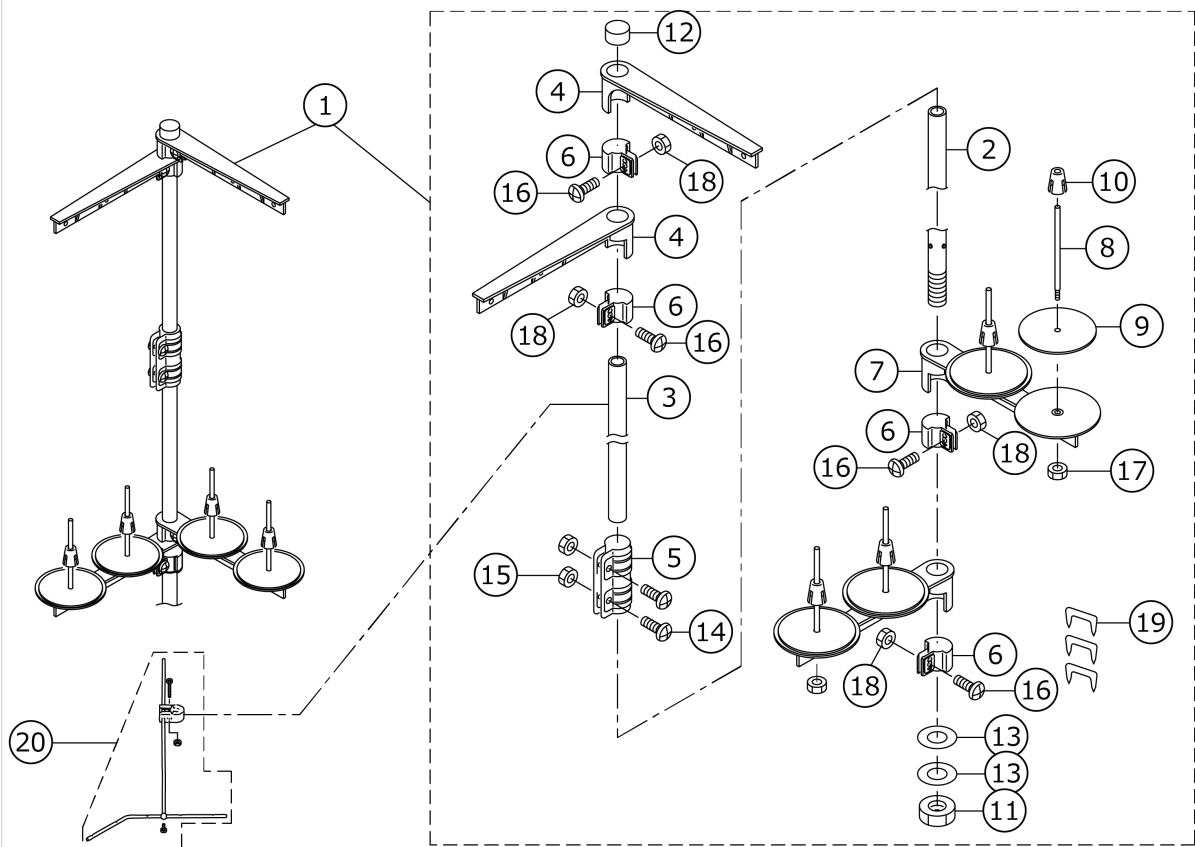
No.	品番	品名	備考	子部品	消耗品	個数
1	10162253	OIL RESERVOIR ASM.				1.00
2	10162204	OIL RESERVOIR		*		1.00
3	10162600	RUBBER CUSHION		*		2.00
4	11047107	RUBBER CUSHION		*		2.00
5	SM0081001SD	SCREW		*		1.00
6	RO098240100	RUBBER RING		*		1.00
7	11024015	CONNECTING ROT, VERTICAL		*		1.00
8	11024106	SPRING		*		1.00
9	RE1000000K0	E-RING 10		*		1.00
10	22932453	BRACKET ASM.		*		1.00
11	11024205	KNEE PRESS ROD		*		1.00
12	NM6060001SE	NUT M6		*		2.00
13	SM8063012TR	SCREW M6 L=30		*		2.00
14	SM9061853SR	SCREW M6 L=17.5		*		1.00
15	22622104	OIL RESERVOIR SPACER, B				1.00
16	22934251	KNEE PAD PLATE ASM.				1.00
17	22934509	KNEE PAD PLATE COVER		*		1.00
18	22934608	KNEE PAD UPRIGHT SHAFT		*		1.00
19	22934400	KNEE PAD PLATE RUBBER		*		1.00
20	22934202	KNEE PAD PLATE		*		1.00
21	22934301	KNEE PAD PLATE SUPPORT		*		1.00
22	SM9061203SE	SCREW M6 L=12		*		1.00
23	11024304	KNEE PRESS LIFTER ROD				1.00
24	22622005	OIL RESERVOIR SPACER, A				1.00

THREAD STAND COMPONENTS (1)



No.	品番	品名	備考	子部品	消耗品	個数
1	D3301772TAB	THREAD STAND ASM.				1.00
2	B3319704L00	THREAD GUIDE		*		3.00
3	SM6061610SC	SCREW M6 L=16		*		2.00
4	B3318704L00A	THREAD GUIDE ARM JOINT		*		2.00
5	11184108	SPOOL REST ROD RUBBER CAP		*		1.00
6	11183704	SPOOL REST ROD, UPPER		*		1.00
7	B3305704000A	SPOOL REST ROD JOINT		*		1.00
8	NM6050001SE	NUT M5		*		2.00
9	SM4051405SE	SCREW M5 L=14		*		2.00
10	11184009	SPOOL RETAINER		*		3.00
11	B3320704L00A	SPOOL PIN		*		3.00
12	B3311012000	SPOOL REST CUSHION		*		3.00
13	11183902	SPOOL REST		*		3.00
14	11183605	SPOOL REST ROD, LOWER		*		1.00
15	11957602	THREAD GUIDE ARM, A		*		2.00
16	B3317704000	NUT		*		2.00
17	WP1702600S0	WASHER 17X30X2.6		*		2.00
18	WS1643202KR	SPRING WASHER		*		1.00
19	MAO11532000	CORD STAPLE		*		3.00
20	WS0510002KN	SPRING WASHER		*		3.00
21	NM6050001SE	NUT M5		*		3.00
22	D3310555D00	RUBBER WASHER		*		1.00
23	B33097040A0	THREAD GUIDE ARM ASM.				1.00
24	B33097040A0	THREAD GUIDE ARM ASM.	FOR TYPE,DESTINATION			1.00

THREAD STAND COMPONENTS (2)



No.	品番	品名	備考	子部品	消耗品	個数
1	10162758	THREAD STANDING DEVICE ASM.	FOR JE			1.00
2	11185105	SPOOL REST ROD,LOWER		*		1.00
3	11185204	SPOOL REST ROD,UPPER		*		1.00
4	11185352	THREAD GUIDE ASM.		*		2.00
5	B3305704000A	SPOOL REST ROD JOINT		*		1.00
6	11185402	THREAD GUIDE ARM JOINT		*		4.00
7	11185006	SPOOL REST ARM		*		2.00
8	B3320704L00A	SPOOL PIN		*		4.00
9	B3311012000	SPOOL REST CUSHION		*		4.00
10	11185501	SPOOL RETAINER		*		4.00
11	B3317704000	NUT		*		1.00
12	B3311704000	SPOOL REST ROD CAP		*		1.00
13	WP1612616SE	WASHER 16X30X2.6		*		2.00
14	SM4051405SE	SCREW M5 L=14		*		2.00
15	NM6050001SE	NUT M5		*		2.00
16	SM4051405SE	SCREW M5 L=14		*		4.00
17	NM6050001SE	NUT M5		*		4.00
18	NM6050001SE	NUT M5		*		4.00
19	MAO11532000	CORD STAPLE		*		3.00
20	B33097040A0	THREAD GUIDE ARM ASM.	FOR TYPE,DESTINATION			1.00

No.	品番	品名	備考	子部品	消耗品	個数
1	22845200	THROAT PLATE, (1/8).				1.00
2	22845408	THROAT PLATE, 3/16.				1.00
3	22845606	THROAT PLATE, (1/4).				1.00
4	22846109	THROAT PLATE, (1/2).				1.00
5	22846307	THROAT PLATE, (3/4).				1.00
6	22846406	THROAT PLATE, (7/8).				1.00
7	22846505	THROAT PLATE,(1)				1.00
8	22847206	FEED DOG, (1/8)				1.00
9	22847404	FEED DOG, 3/16.				1.00
10	22847602	FEED DOG, (1/4).				1.00
11	22848105	FEED DOG, (1/2).				1.00
12	22848303	FEED DOG, (3/4).				1.00
13	22848402	FEED DOG, (7/8).				1.00
14	22848501	FEED DOG, (1).				1.00
15	10391852	PRESSER FOOT ASM. 1/8				1.00
16	10392058	PRESSER FOOT ASM. 3/16				1.00
17	10392256	PRESSER FOOT ASM. 1/4				1.00
18	10392751	PRESSER FOOT ASM. 1/2				1.00
19	10393056	PRESSER FOOT ASM. 3/4				1.00
20	22844450	COMPENSATING PRESSER ASM,(7/8)				1.00
21	22844559	BOBBIN CASE ASM, HEAVY FABLIC.				1.00
22	10147650	NEEDLE CLAMP ASM. 1/8				1.00
23	10147858	NEEDLE CLAMP ASM. 3/16				1.00
24	10148054	NEEDLE CLAMP ASM. 1/4				1.00
25	10148559	NEEDLE CLAMP ASM. 1/2				1.00
26	10148757	NEEDLE CLAMP ASM. 3/4				1.00
27	10148856	NEEDLE CLAMP ASM. 7/8				1.00
28	10148955	NEEDLE CLAMP ASM. 1				1.00
29	22853204	THROA PLATE, 1/8				1.00
30	22853402	THROA PLATE, 3/16				1.00
31	22853600	THROAT PLATE, 1/4.				1.00
32	22854103	THROAT PLATE, 1/2				1.00
33	22854301	THROA PLATE, 3/4				1.00
34	22854400	THROA PLATE, 7/8				1.00
35	22854509	THROA PLATE, 1				1.00
36	22855209	THREAD CUTTING FEED DOG, 1/8				1.00
37	22855407	THREAD CUTTING FEED DOG, 3/16				1.00
38	22855605	THREAD CUTTING FEED DOG, 1/4				1.00
39	22856108	THREAD CUTTING FEED DOG, 1/2				1.00
40	22856306	THREAD CUTTING FEED DOG, 3/4				1.00
41	22856405	THREAD TRIMMER FEED DOG,7/8				1.00
42	22856504	THREAD CUTTING FEED DOG, 1				1.00
43	10391852	PRESSER FOOT ASM. 1/8				1.00
44	10392058	PRESSER FOOT ASM. 3/16				1.00
45	10392256	PRESSER FOOT ASM. 1/4				1.00
46	10392751	PRESSER FOOT ASM. 1/2				1.00
47	10393056	PRESSER FOOT ASM. 3/4				1.00
48	22844450	COMPENSATING PRESSER ASM,(7/8)				1.00
49	22844559	BOBBIN CASE ASM, HEAVY FABLIC.				1.00
50	10147650	NEEDLE CLAMP ASM. 1/8				1.00

51	10147858	NEEDLE CLAMP ASM. 3/16				1.00
52	10148054	NEEDLE CLAMP ASM. 1/4				1.00
53	10148559	NEEDLE CLAMP ASM. 1/2				1.00
54	10148757	NEEDLE CLAMP ASM. 3/4				1.00
55	10148856	NEEDLE CLAMP ASM. 7/8				1.00
56	10148955	NEEDLE CLAMP ASM. 1				1.00

TABLE OF EXCHANGING GAUGE PARTS (2)

<Bed Slide (Left),(Right)> <滑り板(左),(右)>

Needle gauge size 針 幅			Bed Slide asm. (with Tread Trimmer) 滑り板(組) (糸切り付)				Bed Slide asm. (without Tread Trimmer · Stitch spec.F) 滑り板 (組) (糸切り無・F仕様)			
Code コード			Bed Slide asm. (Left) 糸切り滑り板(左)組 		Bed Slide asm. (Right) 糸切り滑り板(右)組 		Bed Slide asm. (Left) 滑り板(左)組 		Bed Slide asm. (Right) 滑り板(右)組 	
	inch	mm	Ref.No.	Part No.	Ref.No.	Part No.	Ref.No.	Part No.	Ref.No.	Part No.
A S W	3/32 S 7/16	2.4 S 11.4	①	226-50857	④	226-50352	⑦	226-01058	⑩	226-00555
L S N	1/2 S 3/4	12.7 S 19.1	②	226-50956	⑤	226-50451	⑧	226-01157	⑪	226-00654
P S Q	7/8 S 1 1/8	22.2 S 28.6	③	226-51503	⑥	226-50550	⑨	226-01256	⑫	226-00753

<Hook Driving Shaft> <下軸メタル>

Needle gauge size 針 幅			Front Metal 前メタル		Inner Metal 中メタル	
Code コード						
	inch	mm	Ref.No.	Part No.	Ref.No.	Part No.
A S P	3/32 S 7/8	2.4 S 22.2	⑬	B1802-512-0A0-A	⑮	B1803-515-0A0
Q S U	1 S 1 1/2	25.4 S 38.1	⑭	B1802-512-0AB	⑯	101-12357

<Wiper> <ワイパー>

Needle gauge size 針 幅			Wiper ワイパー	
Code コード				
	inch	mm	Ref.No.	Part No.
A S K	3/32 S 3/8	2.4 S 9.5	⑰	102-09203
W S M	7/16 S 5/8	11.1 S 15.9	⑱	102-09500
N S P	3/4 S 7/8	19.1 S 22.2	⑲	102-09807
Q S S	1 S 1 1/4	25.4 S 31.8	⑳	102-09906

No.	品番	品名	備考	子部品	消耗品	個数
1	22650857	BED SLIDE LEFT, ASM., A				1.00
2	22650956	LEFT SLIDER PLATE B ASM.				1.00
3	22651503	BED SLIDE LEFT, ASM., C				1.00
4	22650352	BED SLIDE RIGHT, ASM., A				1.00
5	22650451	RIGHT SLIDER PLATE B ASM.				1.00
6	22650550	BED SLIDE RIGHT, ASM., C				1.00
7	22601058	BED SLIDE LEFT, ASM., A				1.00
8	22601157	LEFT SLIDER PLATE B ASM.				1.00
9	22601256	BED SLIDE LEFT, ASM., C				1.00
10	22600555	BED SLIDE RIGHT, ASM., A				1.00
11	22600654	RIGHT SLIDER PLATE B ASM.				1.00
12	22600753	BED SLIDE RIGHT, ASM., C				1.00
13	B18025120A0A	BUSHING ASM., FRONT				1.00
14	B18025120AB	BUSHING ASM., FRONT				1.00
15	B18035150A0	BUSHING ASM., INTERMEDIATE				1.00
16	10112357	BUSHING ASM. INTERMEDIATE				1.00
17	10209203	WIPER 3/32-3/8				1.00
18	10209500	WIPER				1.00
19	10209807	WIPER				1.00
20	10209906	WIPER				1.00

HOW TO MAKE USE OF THIS PARTS LIST

1.Explanation of codes

1)"*"mark.....means this part is changed from the previous parts book.

As to the details of the change, refer to the "List for information of change".

2)"#01".....refer to "Note" explanation at bottom of page.

2.Codes on the "Qty" column

· Each numeral indicates the number of parts required.

· "0.1" and "2.5" indicate the length (in meters) of the respective parts.

3.Parentheses mean that the corresponding part is a subpart that constructs an assembly part.

4.Dotted lines on the Figures indicate assembly parts.

1 ."注記"欄の記号説明

1) "*"印.....前回のパーツブックに比較して今回変更された部品を意味します。

変更内容は、"変更情報リスト"を参照してください。

2) "#01".....ページ下の"注記"の説明を参照してください。

2 .数量欄の数字は、個数を表し、0.1、2.5等の数値は、長さ（単位メートル）を表します。

3 .数量欄の（ ）は、組部品を構成している子部品であることを意味します。

4 .イラストページの-----枠は、組構成であることを意味します。